



LIGHTING FOREVER

## Surface - Mount Ambient Light Sensor

## ALS-PDIC17-55C/TR8

### Features

- Close responsively to the human eye spectrum
- Light to Current, analog output
- Good output linearity across wide illumination range
- Low sensitivity variation across various light sources
- Operating temperature performance, -40°C to 85°C
- Wide supply voltage range, 1.8V to 5.5V
- Size : 2.0mm(L)\*1.25mm(W)\*0.8mm(H)
- RoHS compliant and Pb Free package



### Description

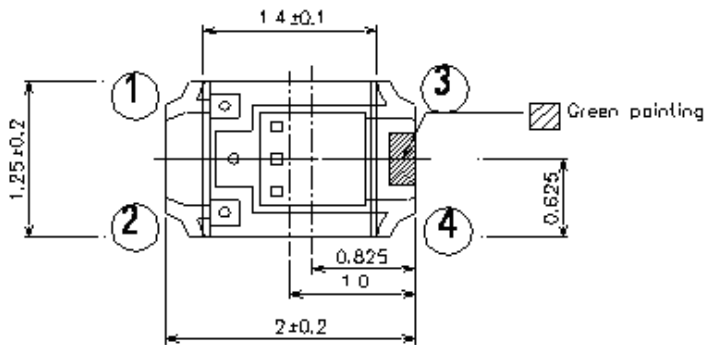
The ALS-PDIC17-55C/TR8 is consisting of a photodiode and a current amplification IC. EVERLIGHT ALS series product is a good effective solution to the power saving of display backlighting of mobile appliances, such as the mobile phones, NB and PDAs. Due to the high rejection ratio of infrared radiation, the spectral response of the ambient light sensor is close to that of human eyes.

### Applications

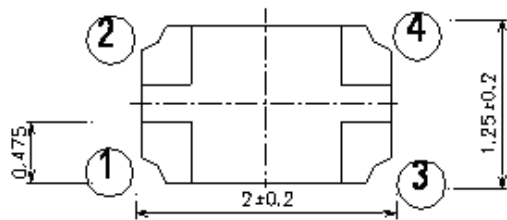
- Detection of ambient light to control display backlighting
  - Mobile devices – mobile phones, PDAs
  - Computing device – TFT LCD monitor for Notebook computer
  - Consumer device – TFT LCD TV, plasma TV, video camera, digital camera, toys
- Automatic residential and commercial management
- Automatic contrast enhancement for electronic signboard
- Ambient light monitoring device for daylight and artificial light
  - Street light, CCD/CCTV

Package Dimensions

Top view

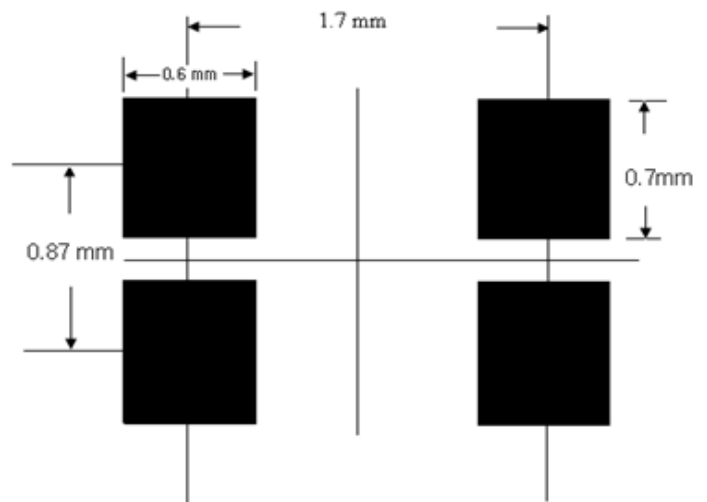


- ① Out
- ② Vcc
- ③ GND
- ④ GND



Bottom view

For Reflow Soldering



Unit: mm



LIGHTING FOREVER

## Surface - Mount Ambient Light Sensor

## ALS-PDIC17-55C/TR8

### Absolute Maximum Ratings (Ta=25°C)

Parameter	Symbol	Rating	Unit
Supply Voltage	V <sub>CC</sub>	-0.5~6.0	V
Output Voltage	V <sub>O</sub>	0 ~ V <sub>CC</sub> -0.8	V
Output Photo Current	I <sub>PH</sub>	0 ~ 5	mA
Operating Temperature Range	T <sub>opr</sub>	-40 ~ +85	°C
Storage Temperature Range	T <sub>stg</sub>	-40 ~ +100	°C
Soldering Temperature Range [Note1]	T <sub>sol</sub>	260	°C

**Note1:** For detail reflow time and the recommended temperature profile, please refer to page 8.

### Recommended Operating Conditions (Ta=25°C)

Parameter	Symbol	Min.	Max.	Unit
Operating Temperature	T <sub>opr</sub>	-40	+85	°C
Supply Voltage	V <sub>CC</sub>	1.8	5.5	V
Electrostatic Discharge, HBM	ESD	8	---	kV



LIGHTING FOREVER

**Surface - Mount  
Ambient Light Sensor**

**ALS-PDIC17-55C/TR8**

**Electrical and Optical Characteristics (Ta=25°C)**

Parameter	Symbol	Min.	Typ.	Max.	Unit	Test Condition	
Supply Current	I <sub>CC</sub>	—	1.2*I <sub>PH</sub>	—	μA		
Dark Current	I <sub>D</sub>	—	—	100	nA	V <sub>CC</sub> =3V or 5.5V; E <sub>v</sub> = 0Lux	
Voltage output offset	V <sub>of</sub>	—	—	1	mV	V <sub>CC</sub> =3V, R=10KΩ, E <sub>v</sub> = 0Lux <a href="#">[Note1]</a>	
Light Current	I <sub>PH1</sub>	—	6	—	μA	V <sub>CC</sub> =3V; E <sub>v</sub> =10Lux <a href="#">[Note2]</a> <a href="#">[Fig.2]</a>	
	I <sub>PH2</sub>	—	60	—	μA	V <sub>CC</sub> =3V; E <sub>v</sub> = 100Lux <a href="#">[Note2]</a> <a href="#">[Fig.2]</a>	
	I <sub>PH3</sub>	—	60	—	μA	V <sub>CC</sub> =3V; E <sub>v</sub> = 100Lux <a href="#">[Note3]</a> <a href="#">[Fig.2]</a>	
	I <sub>PH4</sub>	—	600	—	μA	V <sub>CC</sub> =3V; E <sub>v</sub> =1000Lux <a href="#">[Note2]</a> <a href="#">[Fig.2]</a>	
Photocurrent Ratio	I <sub>PH3</sub> / I <sub>PH2</sub>	—	1	—	—		
Saturation Output Voltage	V <sub>o</sub>	2.20	2.35	—	V	V <sub>CC</sub> =3V; E <sub>v</sub> = 100Lx, R <sub>L</sub> =150KΩ <a href="#">[Fig.3]</a>	
Peak Sensitivity Wavelength	λ <sub>p</sub>	—	590	—	nm		
Sensitivity Wavelength Range	λ	390	---	700	nm		
Switching Time	Rise Time	t <sub>r</sub>	—	6.17	—	ms	V <sub>CC</sub> =3V, R <sub>L</sub> =27KΩ C <sub>L</sub> = 0.1 uF <a href="#">[Fig.4]</a>
	Fall Time	t <sub>f</sub>	—	9.51	—	ms	
	Delay Time	t <sub>d</sub>	—	1.8	—	ms	
	Storage Time	t <sub>s</sub>	—	1.2	—	ms	

Note:

1. Max voltage output offset based on different resistor.
2. White Fluorescent light (Color Temperature = 6500K) is used as light source. However, White LED is substituted in mass production.
3. Illuminance by CIE standard illuminant-A / 2856K, incandescent lamp.

Fig.1 Block Diagram

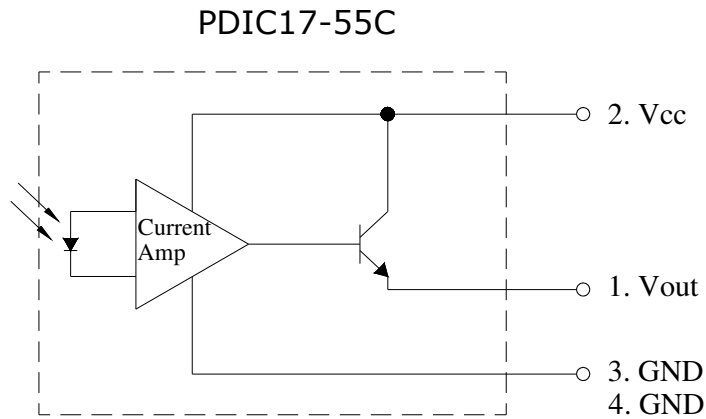


Fig.2 Measurement Method of Light Current

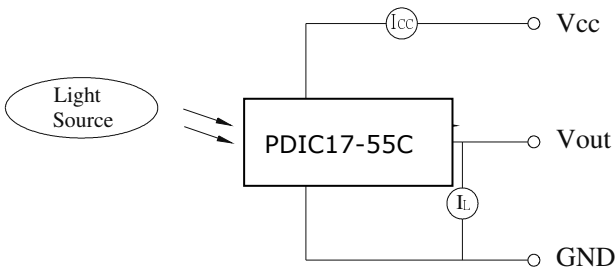


Fig.3 Measurement Method of Saturation Output Voltage

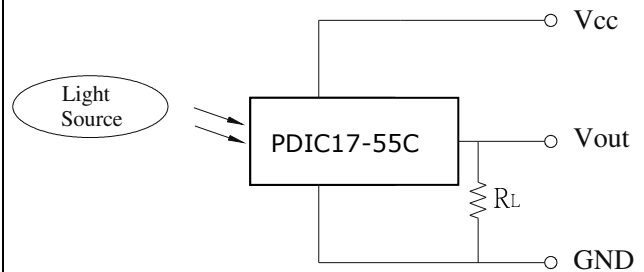
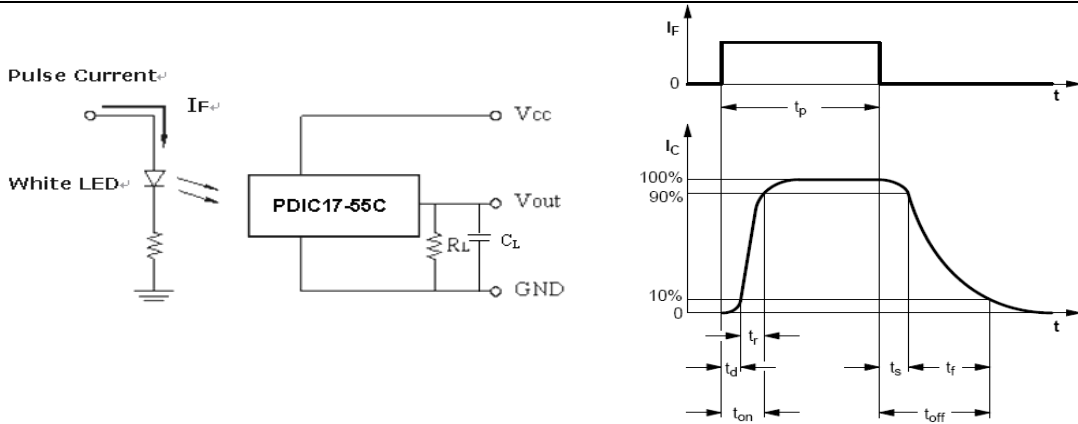
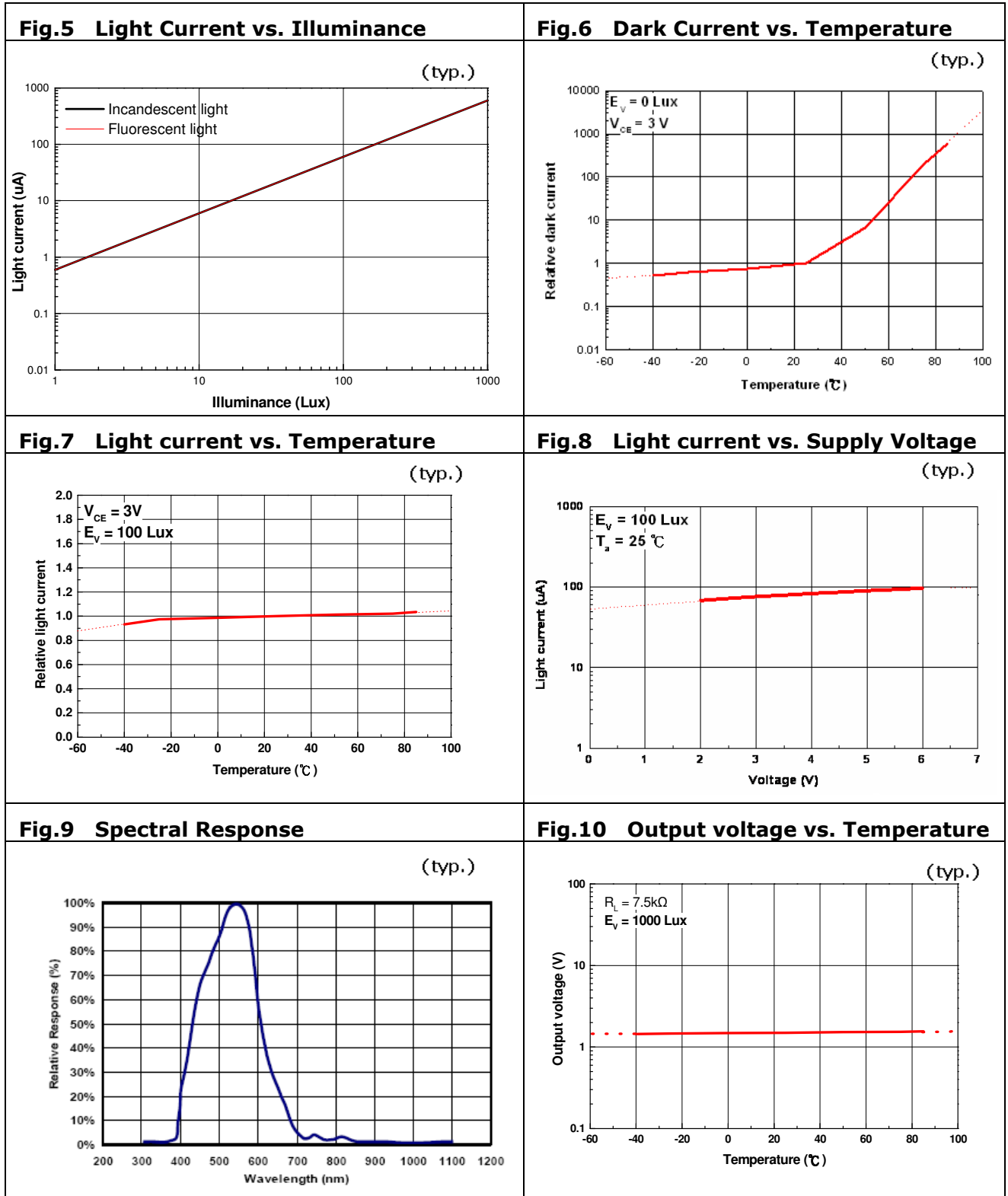


Fig.4 Switching Time Measurement Method



Typical Electrical and Optical Characteristics Curves





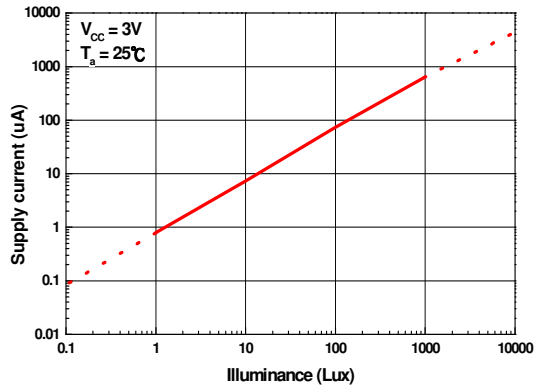
LIGHTING FOREVER

# Surface - Mount Ambient Light Sensor

## ALS-PDIC17-55C/TR8

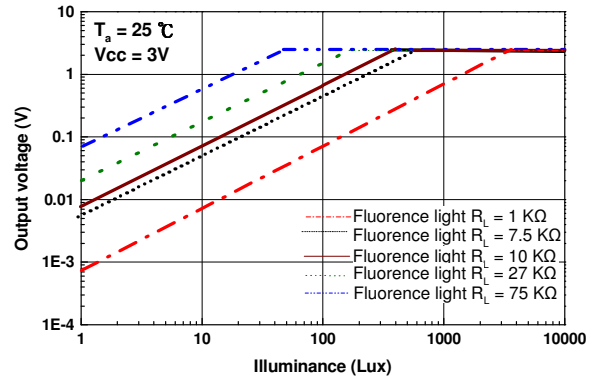
**Fig.11 Supply Current vs. Illuminance**

(typ.)

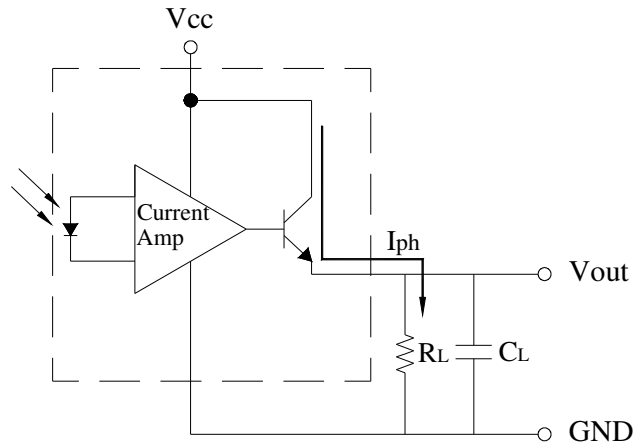


**Fig.12 Output Voltage vs. Illuminance**

(typ.)



### Converting Photocurrent to Voltage



Note:

1. The output voltage ( $V_{out}$ ) is the product of photocurrent ( $I_{PH}$ ) and loading resistor ( $R_L$ )
2. A right loading resistor shall be chosen to meet the requirement of maximum ambient light, and output saturation voltage:

$$V_{out(max.)} = I_{out(max.)} \times R_L \leq V_{out(saturation)} = V_{cc} - 0.8V$$

3. To avoid 60Hz ripple from fluorescent lamps, we suggest that the time constant must be greater than 0.5 second:

$$R_L \times C_L \geq 0.5 \quad (\text{empirical data})$$



**Recommended method of storage**

Reflow Terms: JEDEC Level 4 Specification

Dry box storage is recommended as soon as the aluminum bag has been opened prevent moisture absorption. The following conditions should be observed, if dry boxes are not available:

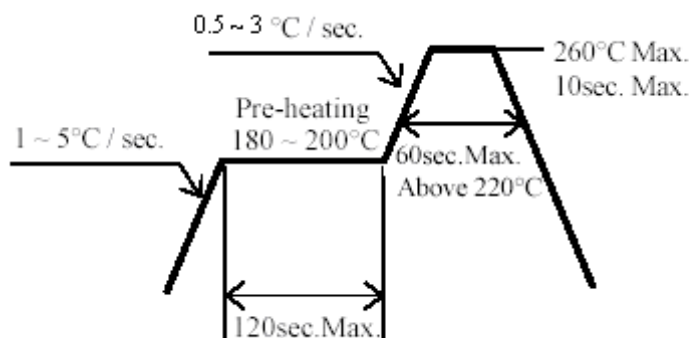
- Storage temperature 10°C to 30°C
- Storage humidity  $\leq 60\%RH$  max

After more than 72 hours under these conditions moisture content will be too high for reflow soldering. In case of moisture absorption, the devices will recover to former condition by drying under the following condition:

- 192 hours at 40°C+5°C/-0°C and 5%RH (dry air / nitrogen), or
- 96 hours at 60°C+5°C and < 5%RH for all device containers, or
- 24 hours at 125°C+5°C not suitable for reel or tubes

**ESD Precaution:**

Proper storage and handing procedures should be followed to prevent ESD damage to the devices especially when they are removed from the Anti-static bag. Electro-Static Sensitive Devices warning labels are on the packing.

**Recommended Solder Profile**

Notice:

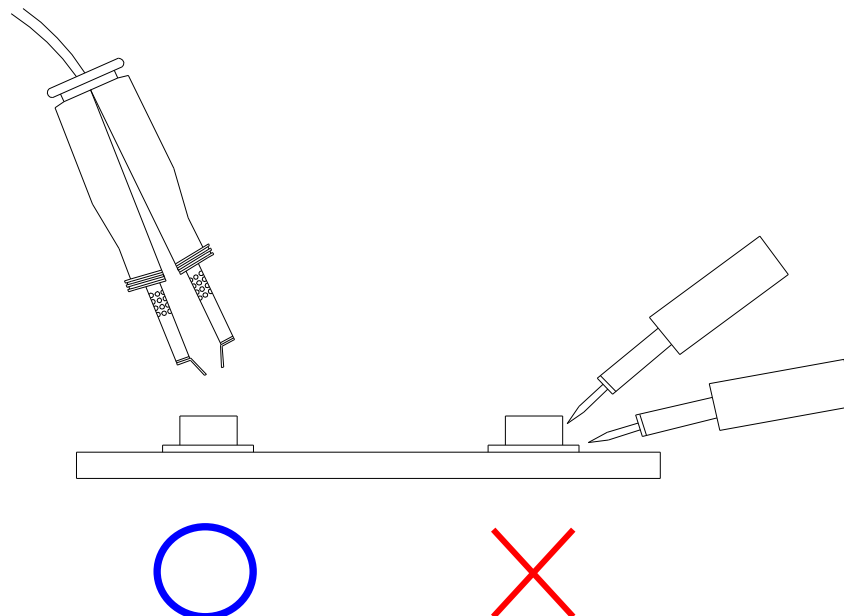
- (1) Reflow soldering should not be done more than two times.
- (2) When soldering, do not put stress on the devices during heating.
- (3) After soldering, do not warp the circuit board.

## Soldering Iron

Each terminal is to go to the tip of soldering iron temperature less than 350°C for 3 seconds within once in less than the soldering iron capacity 25W. Leave two seconds and more intervals, and do soldering of each terminal. Be careful because the damage of the product is often started at the time of the hand solder.

## Repairing

Repair should not be done after the device have been soldered. When repairing is unavoidable, a double-head soldering iron should be used (as below figure). It should be confirmed beforehand whether the characteristics of the device will or will not be damaged by repairing.





LIGHTING FOREVER

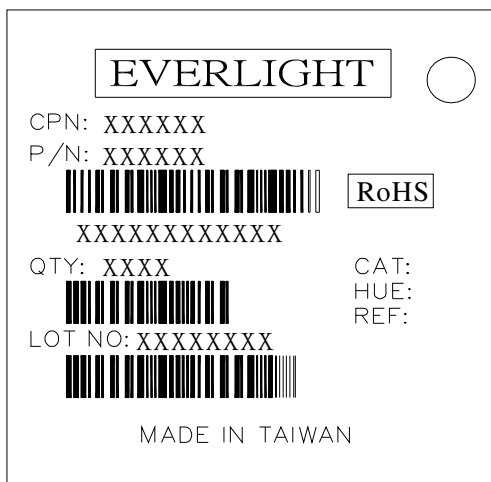
# Surface - Mount Ambient Light Sensor

## ALS-PDIC17-55C/TR8

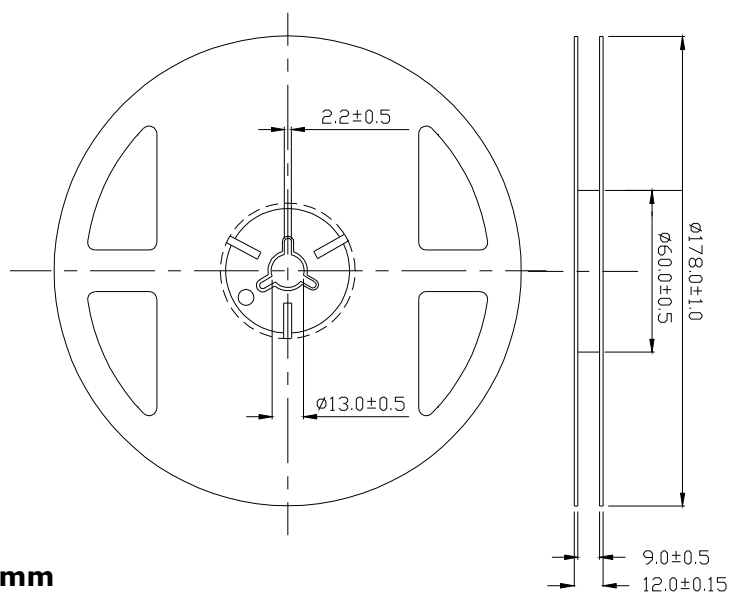
### Packing Quantity Specification

3000 PCS/ 1 Reel

### Label Format



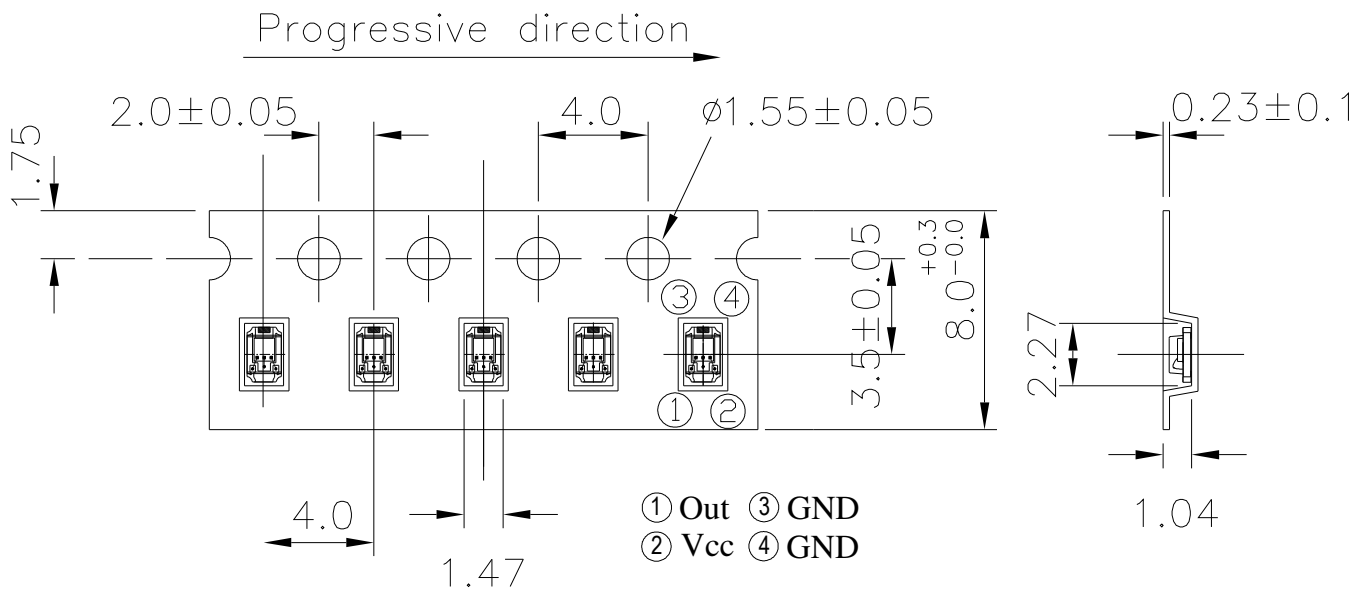
### Reel Dimensions



Unit: mm

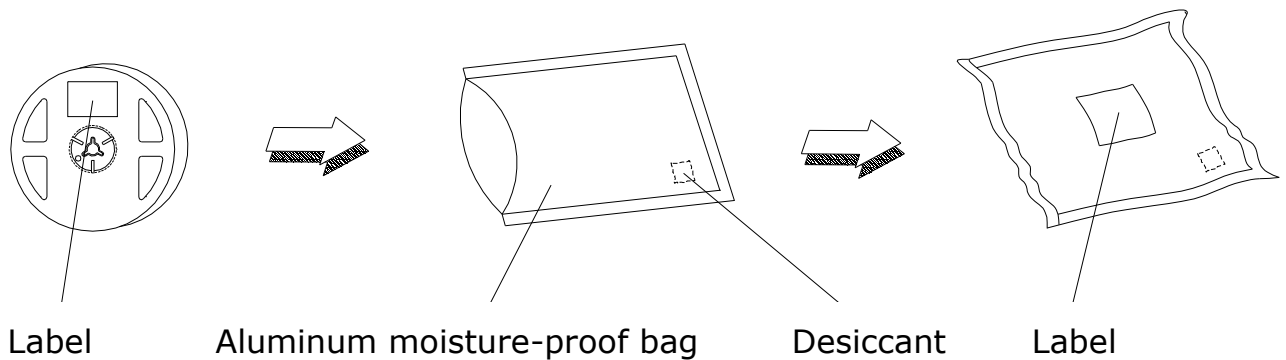
Tolerance: ±0.1mm

**Tape Dimensions**



Unit: mm  
Tolerance: ±0.1mm

**Moisture Resistant Packaging**





LIGHTING FOREVER

## Surface - Mount Ambient Light Sensor

**ALS-PDIC17-55C/TR8**

---

### Note:

1. Above specification may be changed without notice. EVERLIGHT will reserve authority on material change for above specification.
2. When using this product, please observe the absolute maximum ratings and the instructions for using outlined in these specification sheets. EVERLIGHT assumes no responsibility for any damage resulting from use of the product which does not comply with the absolute maximum ratings and the instructions included in these specification sheets.
3. These specification sheets include materials protected under copyright of EVERLIGHT corporation. Please don't reproduce or cause anyone to reproduce them without EVERLIGHT's consent.







LIGHTING FOREVER

**Surface - Mount  
Ambient Light Sensor**

**ALS-PDIC17-55C/TR8**

Product Naming Rule	
Naming	Explanation (Supplier must indicate how to recognize the Product version)
ALS-PDIC17-55C/TR8	ALS: Ambient light sensor PDIC: PD + Amplifier IC 17-55 : Package size(0805) C: Clear compound TR8 : Tapping and reel

Marking Rule of Product Top Side Surface *1		
Marking Information	Column	Explanation (Supplier must indicate how to recognize the Product version)
N.A.	Column 1	N.A
	Column 2	N.A
	Column 3	N.A
	Column 4	N.A
	Column 5	N.A
	Column 6	N.A

Marking Rule of Outer Box Label *3		
Marking Information	Column	Explanation (Supplier must indicate how to recognize the Product version)
 <div style="display: inline-block; border: 1px solid black; padding: 2px; margin: 5px;">EVERLIGHT</div> <span style="font-size: 24px; margin-left: 20px;">10</span> CPN : P/N : S20B000020  ALS-PDIC17-55C/TR8(AOC-G) QTY: 3000                      CAT: HUE: REF: LOT NO: Y81023A12345  Reference: BYL108102312345  MADE IN TAIWAN <div style="border: 1px solid black; padding: 2px; display: inline-block; margin: 5px;">RoHS</div> <span style="font-size: 24px; margin-left: 10px;">HF</span>	Column 1	CPN: Customer part number P/N: Product part number
	Column 2	QTY: 數量 Lot NO: 批號
	Column 3	CAT: 等級 HUE: 波長
	Column 4	REF: 備用欄位
	Column 5	